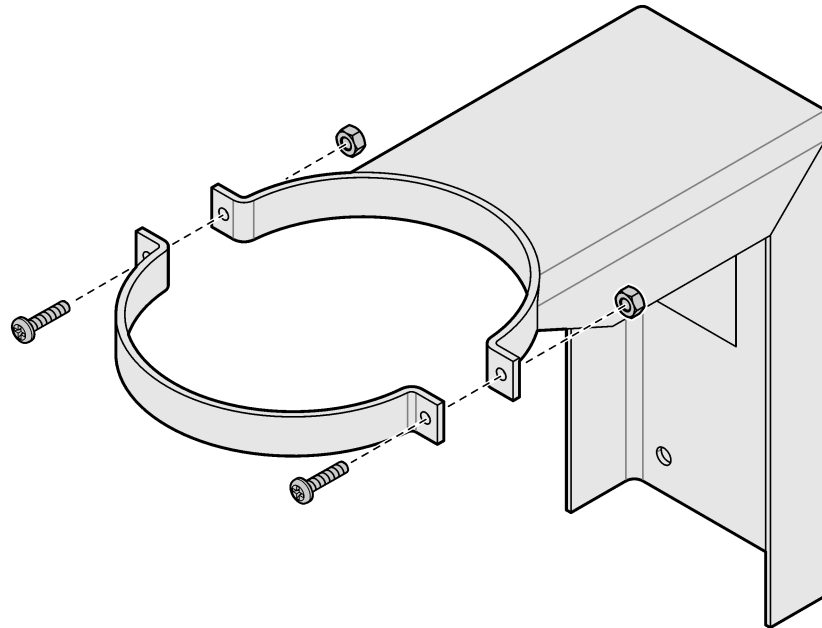


## TAF-750 mounting bracket installation



Specification	Details
Dimensions (H x W x D)	30.5 x 17.8 x 37.3 cm (12 x 7 x 14-11/16 inches)
Material	316LSS
Weight	4.1 kg (9 lbs)
Maximum load	114 kg (250 lbs)

Use the TAF750 mounting bracket to install the TAF750 Self Cleaning Filter vertically on a wall. Make sure that there is a minimum of 127 mm (5 inches) between the floor and the bottom of the filter. Refer to the dimensions given in the user manual for the TAF750 Self Cleaning Filter. Make sure that there is sufficient clearance for maintenance tasks.

**Note:** The TAF750 mounting bracket can be installed on a Hach Versatile floor stand assembly (PN 5743200) with additional holes added to the stand.

Items to collect:

- Four bolts, M10 x 1.5 (3/8 inch-16), minimum of 102 mm (4 inches) long
- Tools: Drill, wrench, screwdriver

1. Drill four holes in the wall for the TAF750 mounting bracket bolts.
2. Put the mounting bracket on the wall. Align the bracket holes with the holes in the wall.
3. Install the bolts. Tighten the bolts until the mounting bracket is tight against the wall.
4. Remove the bolts and nuts from the clamp band. Remove the front half of the band.
5. Put the TAF750 Self Cleaning Filter in the mounting bracket so that the inlet and outlet connectors are immediately above the clamp band.
6. Install the front half of the band and secure the band with the bolts and nuts.

**HACH COMPANY World Headquarters**  
P.O. Box 389, Loveland, CO 80539-0389 U.S.A.  
Tel. (970) 669-3050  
(800) 227-4224 (U.S.A. only)  
Fax (970) 669-2932  
orders@hach.com  
www.hach.com

**HACH LANGE GMBH**  
Willstätterstraße 11  
D-40549 Düsseldorf, Germany  
Tel. +49 (0) 2 11 52 88-320  
Fax +49 (0) 2 11 52 88-210  
info-de@hach.com  
www.de.hach.com

**HACH LANGE Sàrl**  
6, route de Compois  
1222 Vézenaz  
SWITZERLAND  
Tel. +41 22 594 6400  
Fax +41 22 594 6499

